



SIGNIFIKANT



Deliver cost-effective world-class aftermarket web shop with Signifikant

Signifikant SPC – Introduction Course

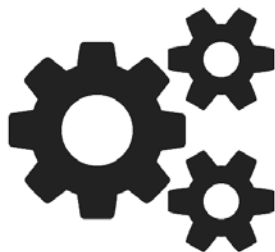


Agenda

- What is Signifikant SPC?
 - The Signifikant Management process
- Signifikant Manager functions
 - Import, Create, Edit, Organize, Translate, Publish
- Signifikant Import Module
 - Custom training



What is Signifikant SPC?



- Complete solution for creating and publishing of technical documentation for the aftermarket
 - Spare part catalogues
 - User Guides
 - Service instructions



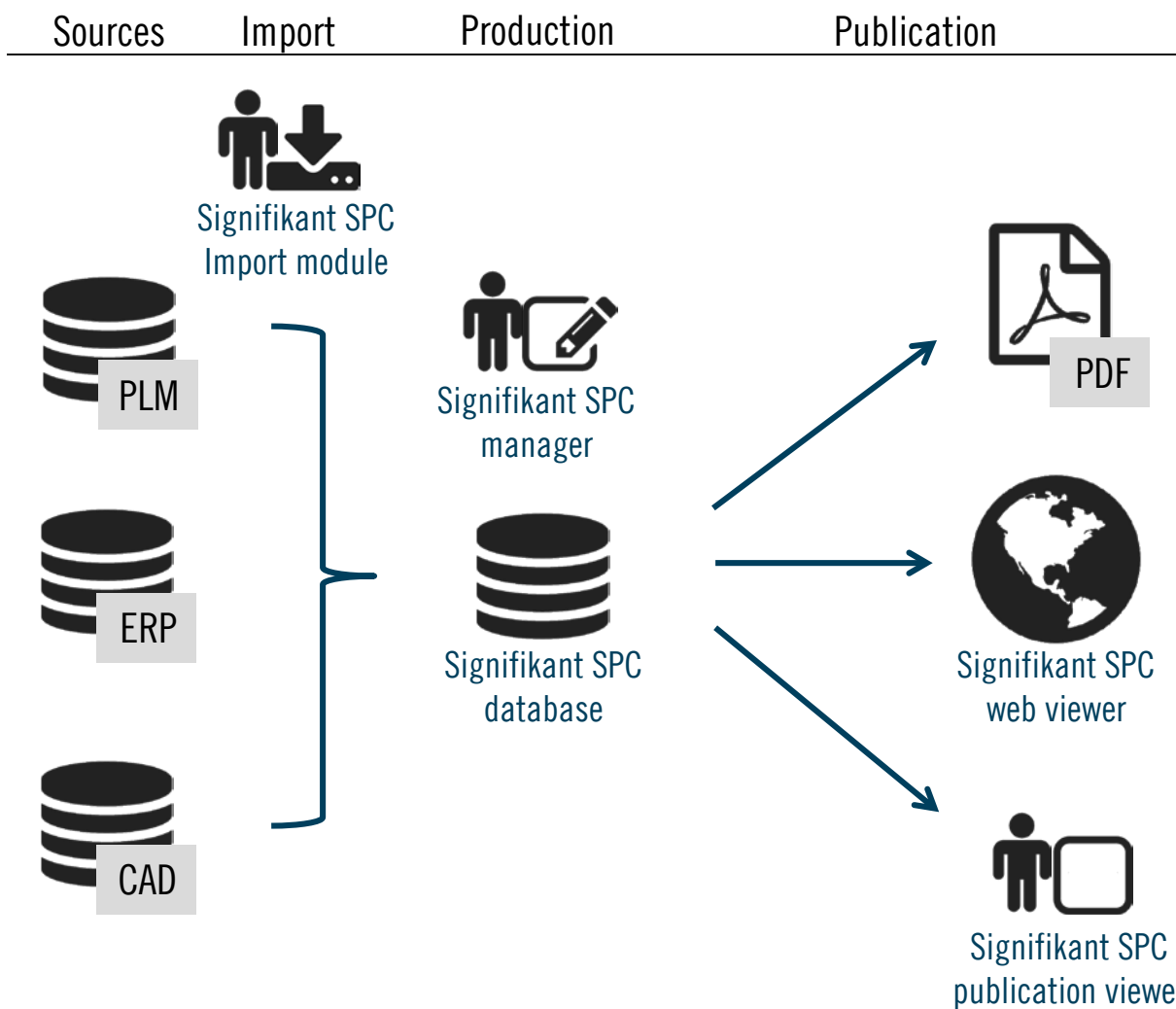
- Your tool to increase aftermarket sales
 - Aftermarket portal
 - Creating and submitting orders
 - Integration with ERP and web shop



- Anywhere, anytime
 - Support for web, desktop and touch devices
 - Support for multiple languages



Signifikant Management Process – Overview





SIGNIFIKANT



SIGNIFIKANT MANAGER

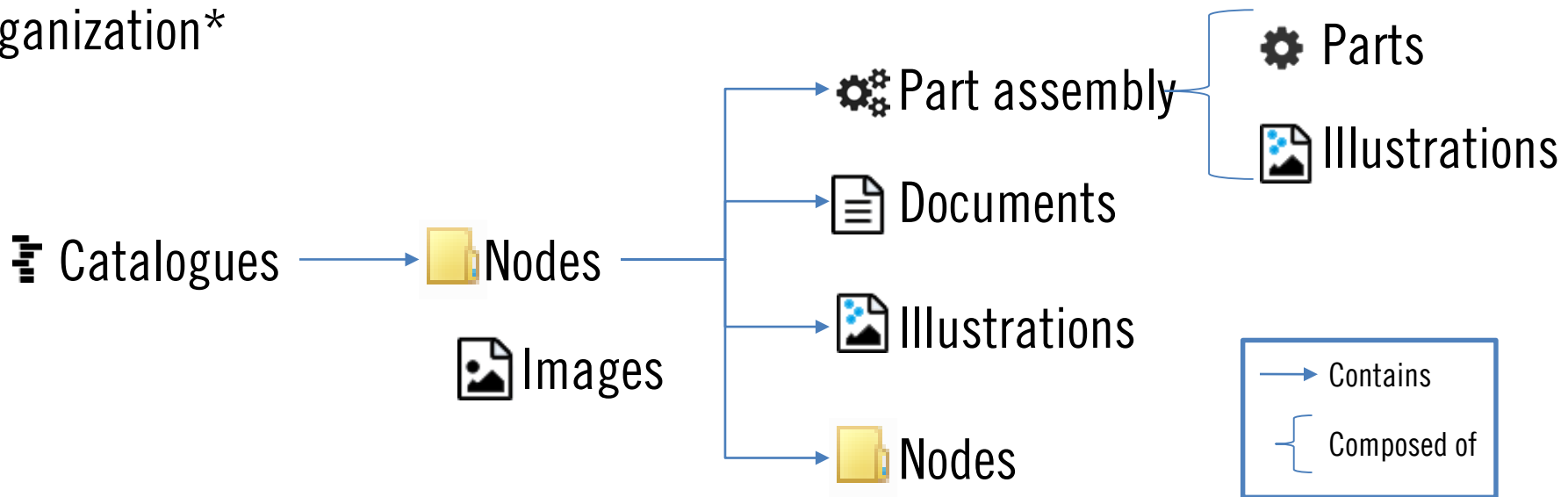
The Basics



Signifikant Manager – Basics

Storages	Parts	Illustrations	Texts
	Part assembly	Images	Filters
	Catalogues	Documents	Publications

Organization*

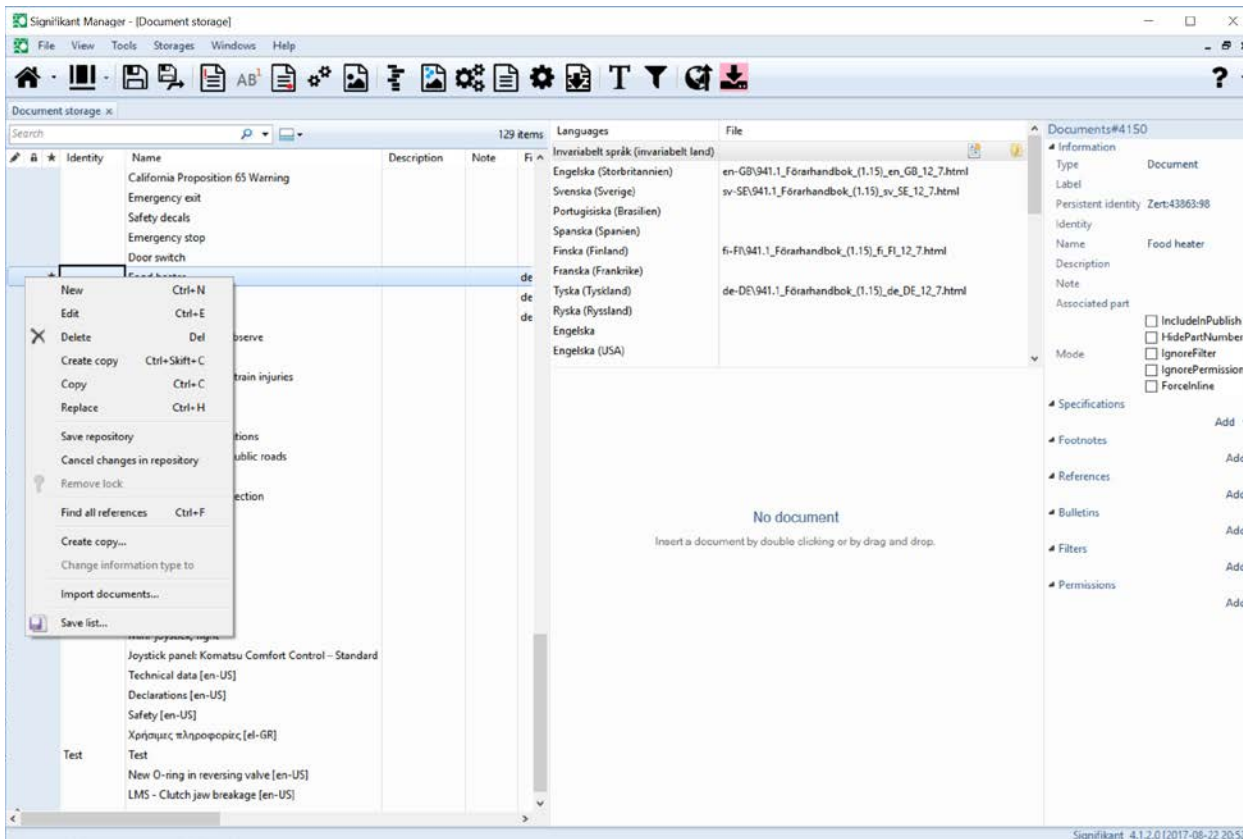


*This illustration leaves out some possibilities for the sake of clarity



Signifikant Manager– Storages

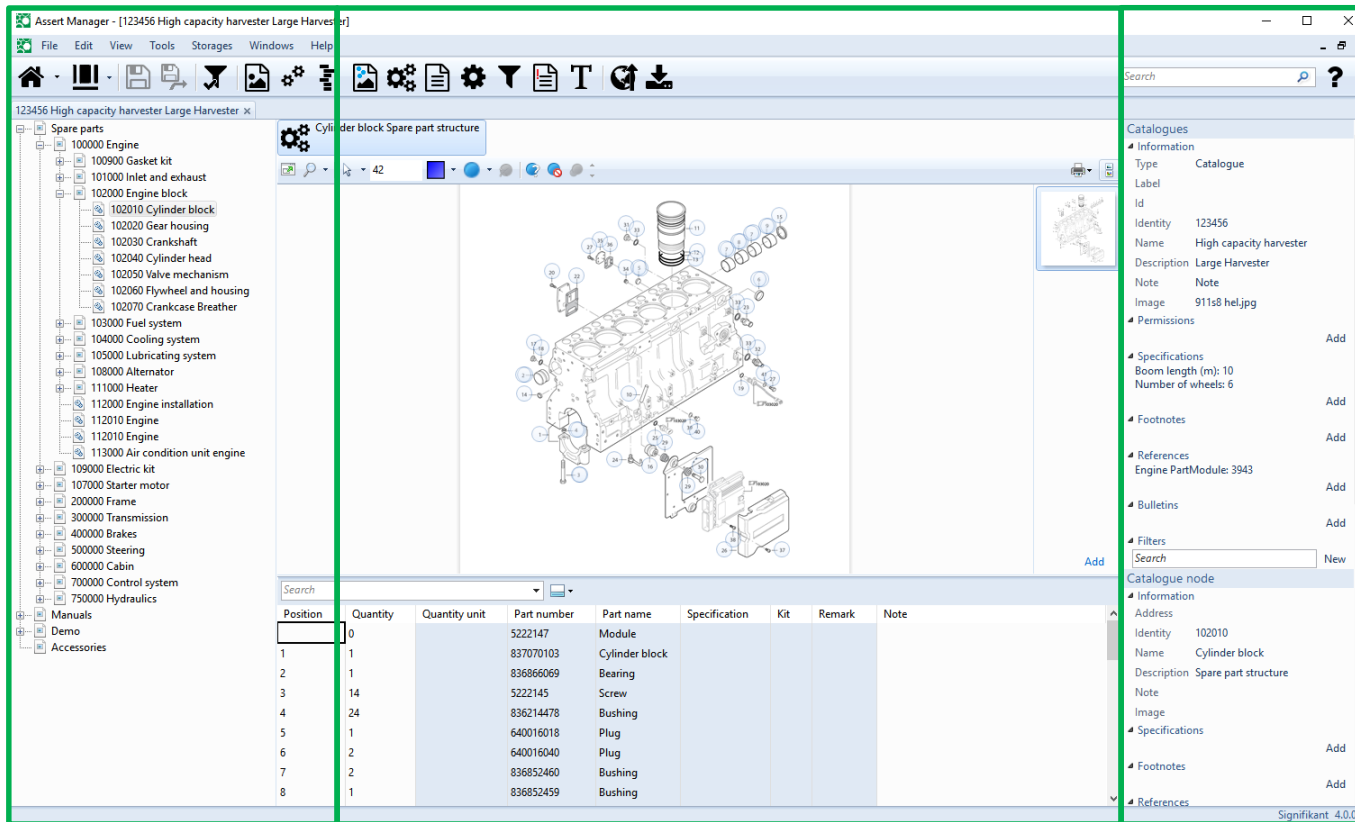
All information, documents, parts, part assemblies etc, are accessed through storages. The storages are used to add, edit or delete information from Signifikant.





Signifikant Manager– Panes

When information is added to a catalogue, the catalogue can be used to alter information. There are three main panes in Signifikant Manager:



Navigation pane

View pane

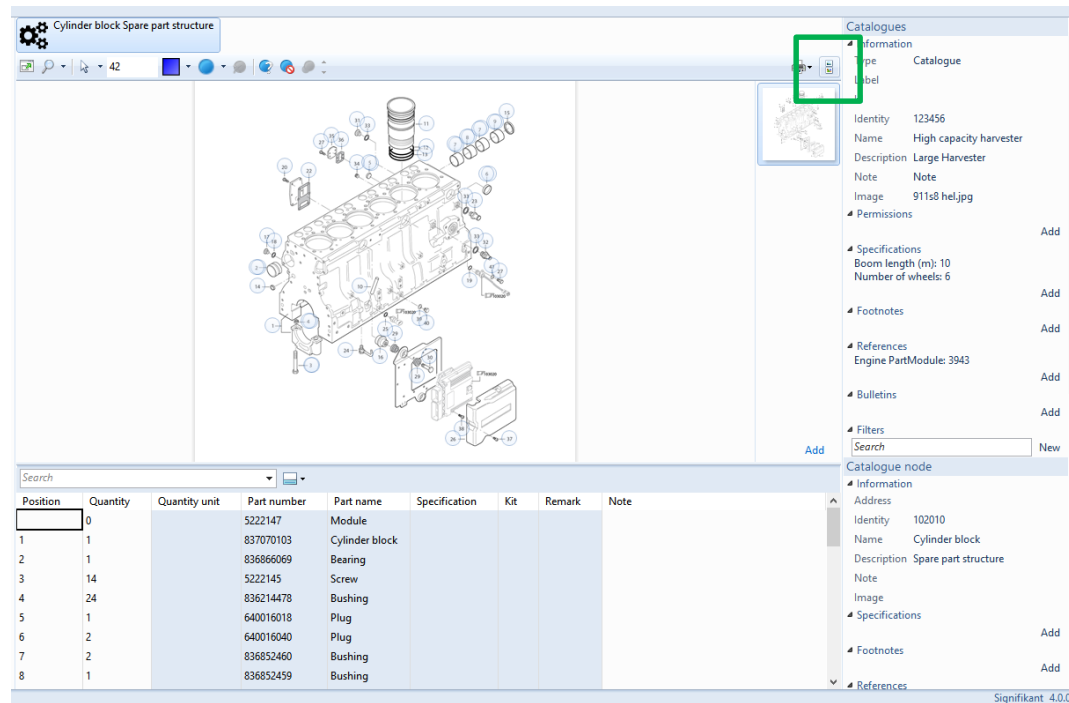
Properties pane

Signifikant Manager– Part assembly view



SIGNIFIKANT

If a Part assembly is selected in the Navigation pane, the View pane will show three panes with respectively the Illustration, a list of thumbnails and a list of Part rows.

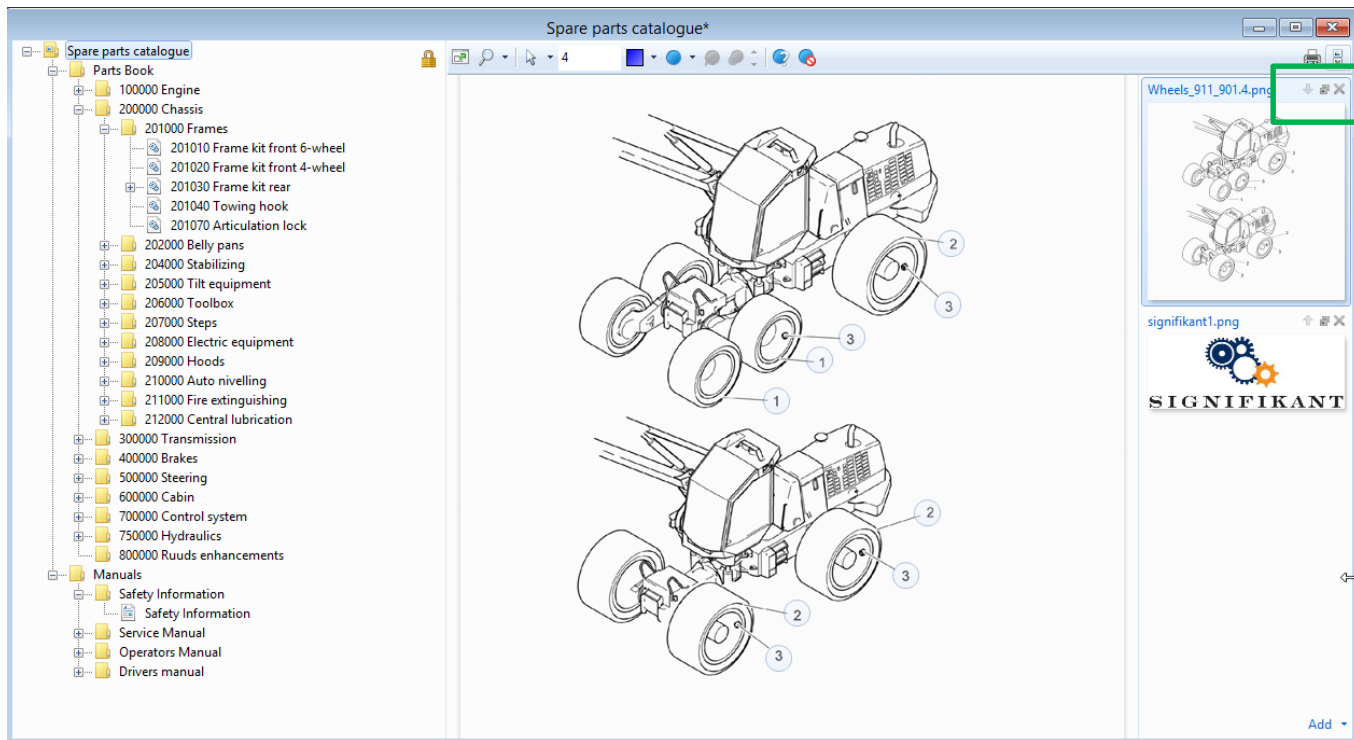


You can hide the Thumbnails pane by clicking the Show thumbnails () button in the top right corner.



Signifikant Manager– Node View

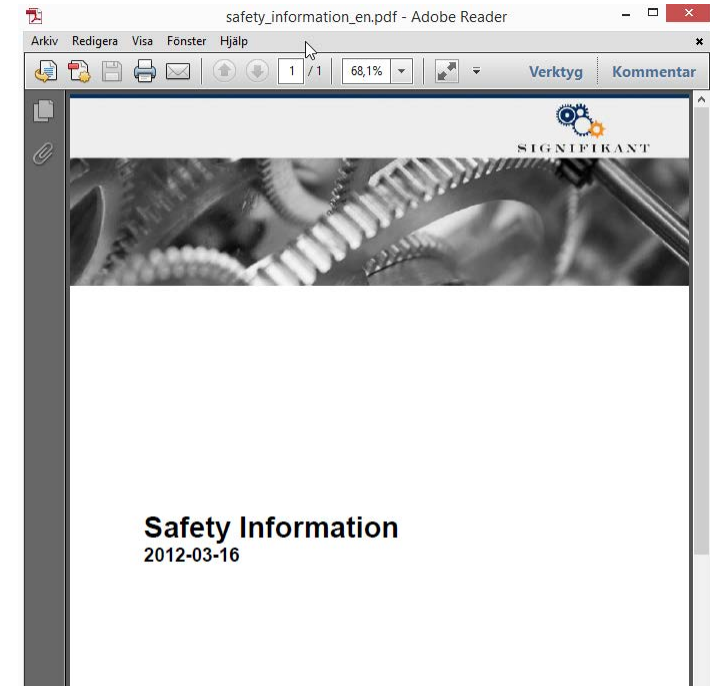
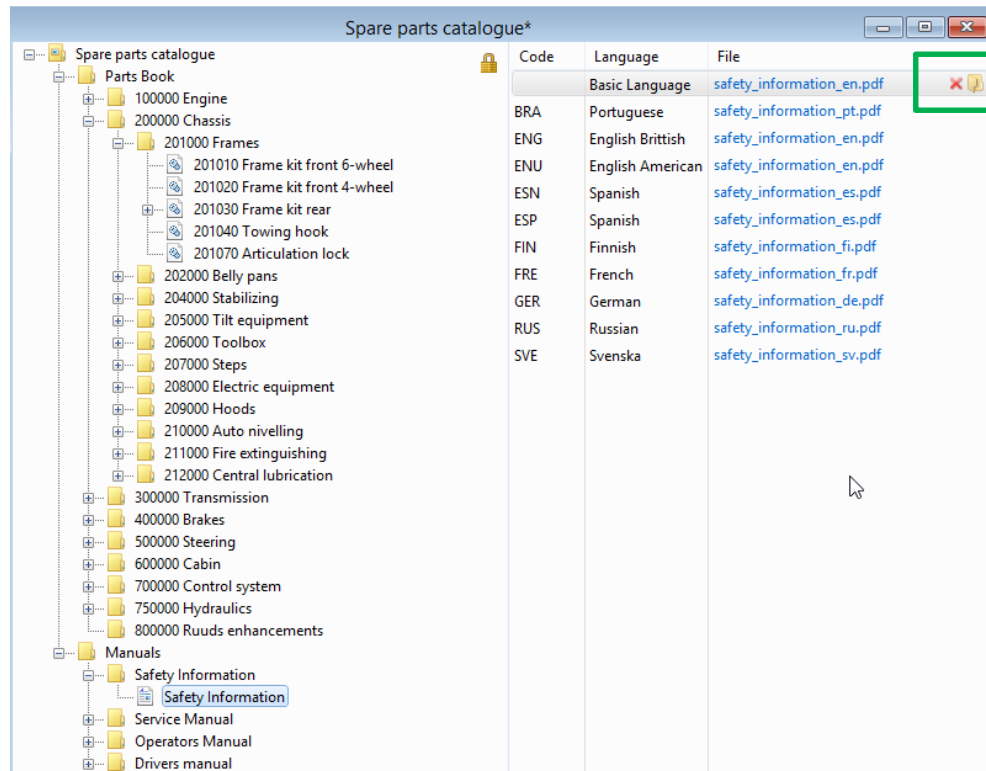
If a Node (or Catalogue) is selected in the Navigation Pane, and the Node has at least one Illustration attached to it, the View Pane will show the first Illustration.



Look at the other Illustrations by selecting them in the Thumbnails Pane. You can move, add and replace images by clicking on the icons in the Thumbnails.

Signifikant Manager– Documents View

If a Document is selected in the Navigation Pane, the View Pane will show a list with all attached documents, one for each language/culture.

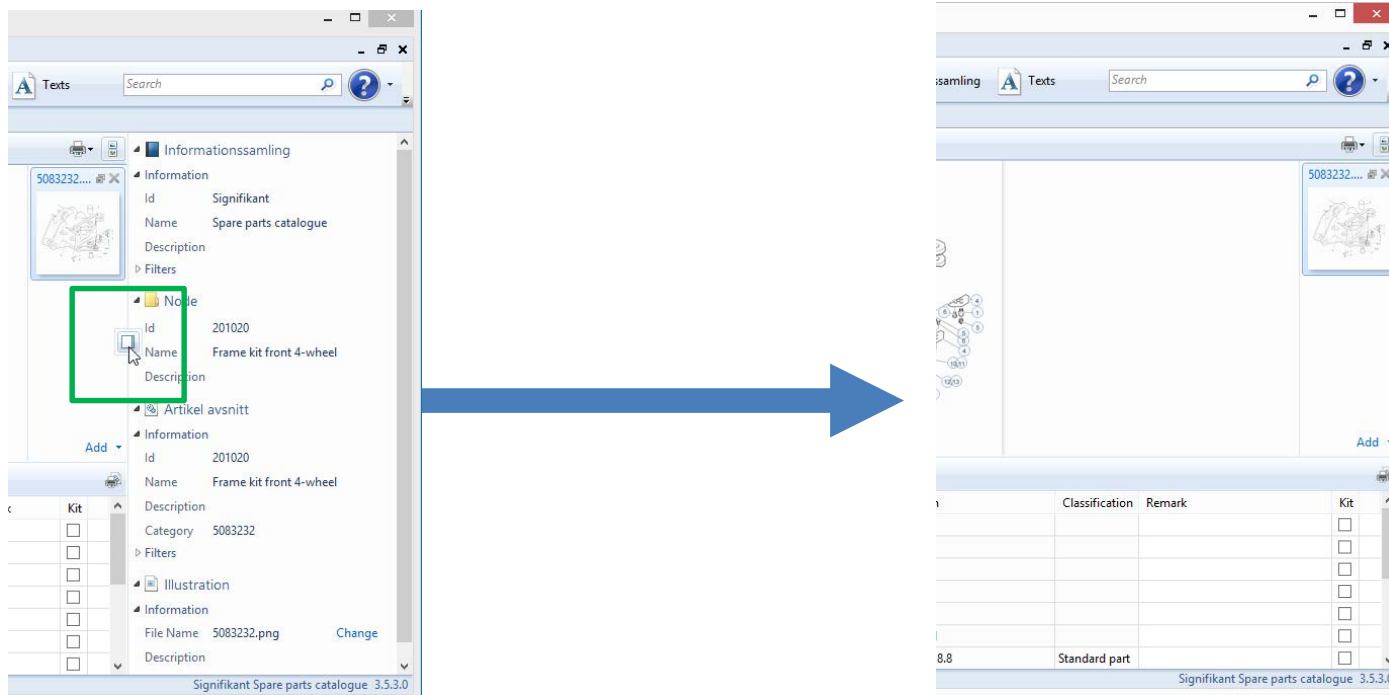


If you double click on a document, it will be opened in a separate Window. You can remove and add documents per language/culture by hovering over the rows.

Signifikant Manager– Properties Pane

The Properties Pane shows information about all attributes for the currently selected item, its parents and its parents parents.

You can hide the Properties Pane by hovering over the border between the ViewPane and the Properties Pane and click on the Window button:





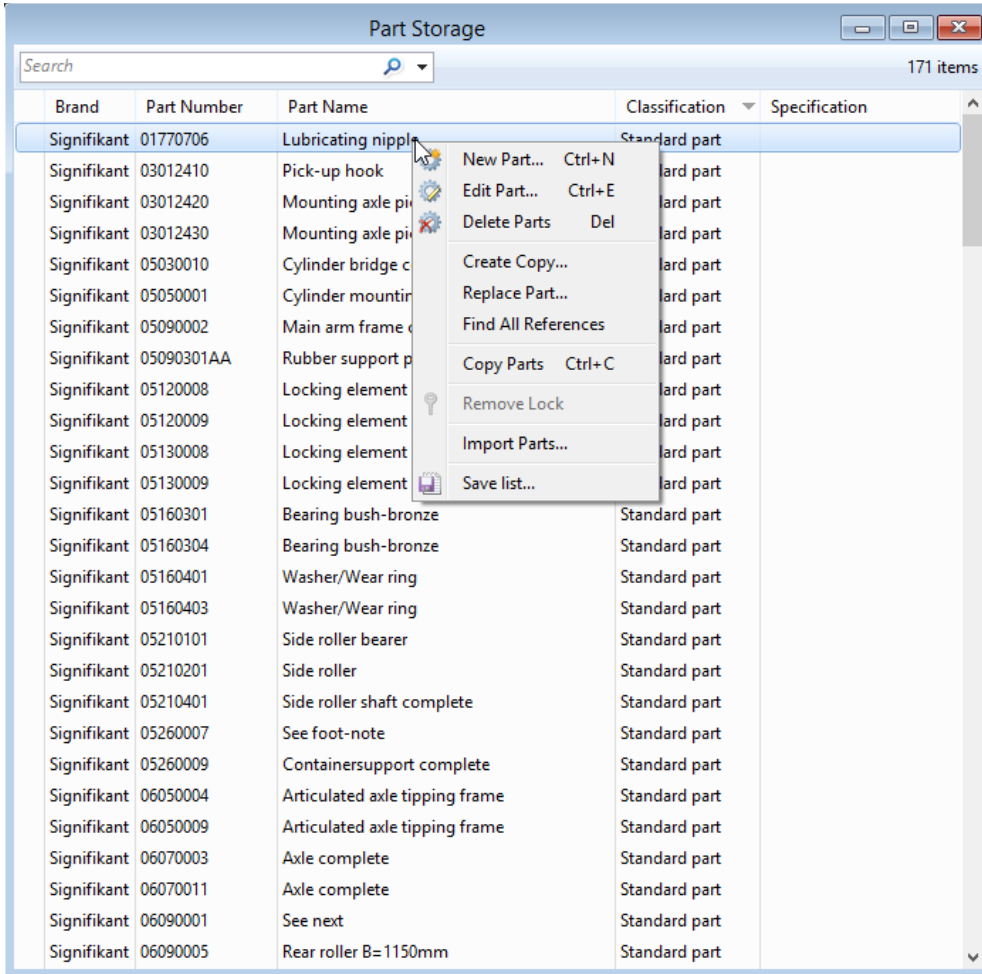
SIGNIFIKANT



SIGNIFIKANT MANAGER

Part storage

Signifikant Manager – Part storage



The screenshot shows the 'Part Storage' window with a search bar and a table of 171 items. A context menu is open over the first row, listing various actions such as 'New Part...', 'Edit Part...', 'Delete Parts', 'Create Copy...', 'Replace Part...', 'Find All References', 'Copy Parts', 'Remove Lock', 'Import Parts...', and 'Save list...'.

Brand	Part Number	Part Name	Classification	Specification
Signifikant	01770706	Lubricating nipple	Standard part	
Signifikant	03012410	Pick-up hook	Standard part	
Signifikant	03012420	Mounting axle pin	Standard part	
Signifikant	03012430	Mounting axle pin	Standard part	
Signifikant	05030010	Cylinder bridge cap	Standard part	
Signifikant	05050001	Cylinder mounting	Standard part	
Signifikant	05090002	Main arm frame cap	Standard part	
Signifikant	05090301AA	Rubber support pin	Standard part	
Signifikant	05120008	Locking element	Standard part	
Signifikant	05120009	Locking element	Standard part	
Signifikant	05130008	Locking element	Standard part	
Signifikant	05130009	Locking element	Standard part	
Signifikant	05160301	Bearing bush-bronze	Standard part	
Signifikant	05160304	Bearing bush-bronze	Standard part	
Signifikant	05160401	Washer/Wear ring	Standard part	
Signifikant	05160403	Washer/Wear ring	Standard part	
Signifikant	05210101	Side roller bearer	Standard part	
Signifikant	05210201	Side roller	Standard part	
Signifikant	05210401	Side roller shaft complete	Standard part	
Signifikant	05260007	See foot-note	Standard part	
Signifikant	05260009	Containersupport complete	Standard part	
Signifikant	06050004	Articulated axle tipping frame	Standard part	
Signifikant	06050009	Articulated axle tipping frame	Standard part	
Signifikant	06070003	Axle complete	Standard part	
Signifikant	06070011	Axle complete	Standard part	
Signifikant	06090001	See next	Standard part	
Signifikant	06090005	Rear roller B=1150mm	Standard part	

Basic

- New Part...
- Edit Part...
- Delete Parts
- Create Copy...
- Search

Advanced

- Replace Part...
- Find All References
- Copy Parts
- Import Parts...

Export

- Save list...



Part storage – Search

Searches within your part storage. Search while you type. Searches per default in all columns to match All Words.

The screenshot shows the 'Part Storage' application window with a search bar containing 'Bolt MF'. The search results are displayed in a table with columns for Brand, Part Number, Part Name, and Specification. A context menu is open over the search results, showing options for search criteria and search scope.

Brand	Part Number	Part Name	Specification
Signifikant	4879516	Bolt	MF6S_8x16_10.9
Signifikant	5009384	Bolt	
Signifikant	5009611	Bolt	
Signifikant	5037862	Bolt	
Signifikant	956208	Bolt	

Context Menu Options:

- Match All Words
- Match Any Word
- Search in Columns ▶
- Show Columns ▶
- Save Filter

Search Scope Options:

- Part Number
- Part Name
- Classification
- Specification



Part storage – Configure columns

The search menu also allows you to configure which columns to show.

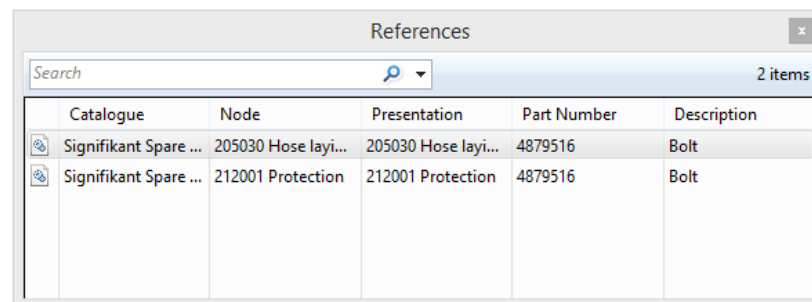
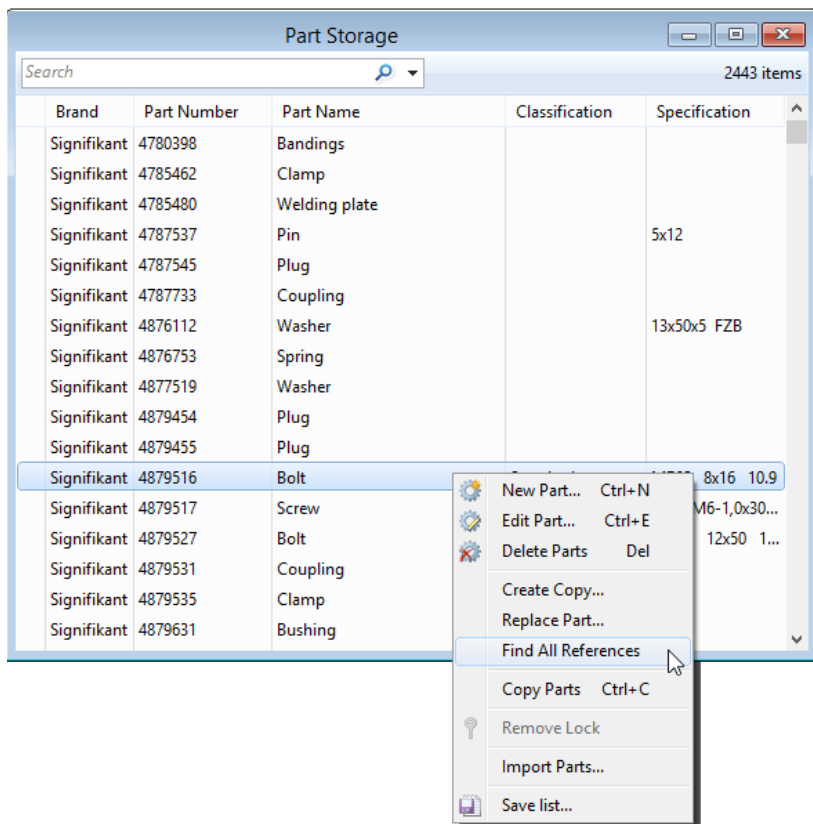
The screenshot shows the 'Part Storage' application window with a search filter 'Bolt MF' and 5 (2443) items. A search menu is open, showing options: Match All Words (checked), Match Any Word, Search in Columns, Show Columns (selected), and Save Filter. The 'Show Columns' sub-menu is also open, listing columns with checkboxes: Brand (checked), Part Number (checked), Part Name (checked), Classification (checked), and Specification (checked).

Brand	Part Number	Part Name	Specification
Signifikant	4879516	Bolt	MF6S 8x16 10.9
Signifikant	5009384	Bolt	MF6S 6x16 10.9
Signifikant	5009611	Bolt	
Signifikant	5037862	Bolt	
Signifikant	956208	Bolt	



Part storage – Find All References...

Finds all references of a part in all catalogues and let you browse to the corresponding part module in the catalogue.



Double click on a row to navigate



Part storage – Replace part...

Finds all references of a part in all catalogues and replaces it with another part.

Replace Part

Replace occurrence of part in part modules.

Find Part

Part Number

Part Name

Classification

Specification

Replace with Part

Part Number

Part Name

Classification

Specification

OK Cancel

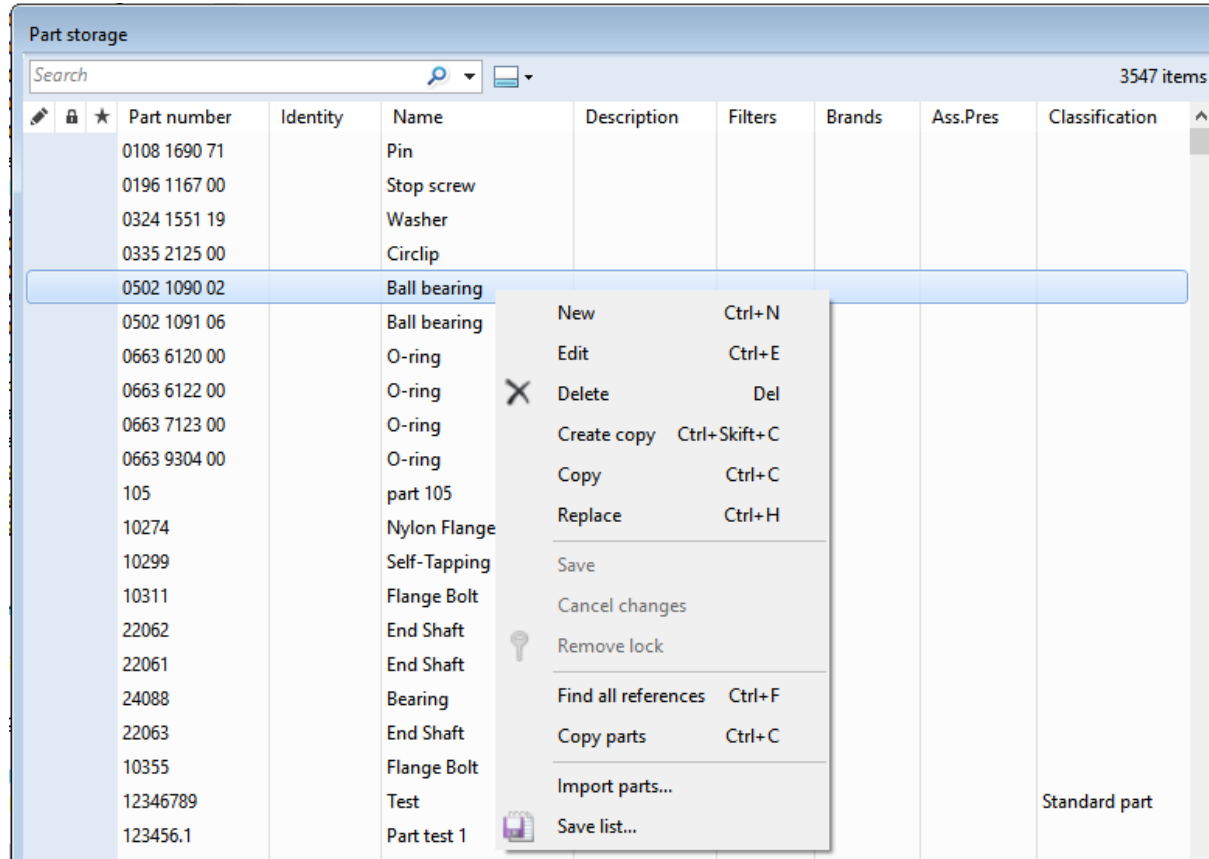
Please note that changes made by "Replace Part..." are stored immediately and can not be reverted using "Cancel Changes"





Part storage – Create copy

Select a part, right click and choose "Create copy" to create a copy of a part.





Part storage – Save list...

Right click anywhere in the part storage and choose "Save List...".

Export formats:

- Text
- XML
- Excel

	A	B	C	D	E
1	Brand	Part Number	Part Name	Classification	Specification
2	Signifikant	4879454	Plug		
3	Signifikant	4879455	Plug		
4	Signifikant	4879516	Bolt	Standard part	MF6S 8x16 10.9
5	Signifikant	4879517	Screw		SHC, M6-1,0x30, B 12.9
6	Signifikant	4879527	Bolt	Standard part	MC6S 12x50 12.9 OE
7	Signifikant	4879531	Coupling		
8	Signifikant	4879535	Clamp		
9	Signifikant	4879631	Bushing		
10	Signifikant	4879798	Coupling		R3/8-R3/8
11	Signifikant	4879816	Bolt	Standard part	MC6S 6x100 8.8
12	Signifikant	4880357	Fire extinguisher		6 kg
13	Signifikant	4899012	Bolt	Standard part	MC6S 20x75 12,9
14	Signifikant	4899086	Bolt	Standard part	MC6S 20x90 12.9

Please note that the "Save List..." function always exports the complete part storage. It will ignore if one or more parts are selected.

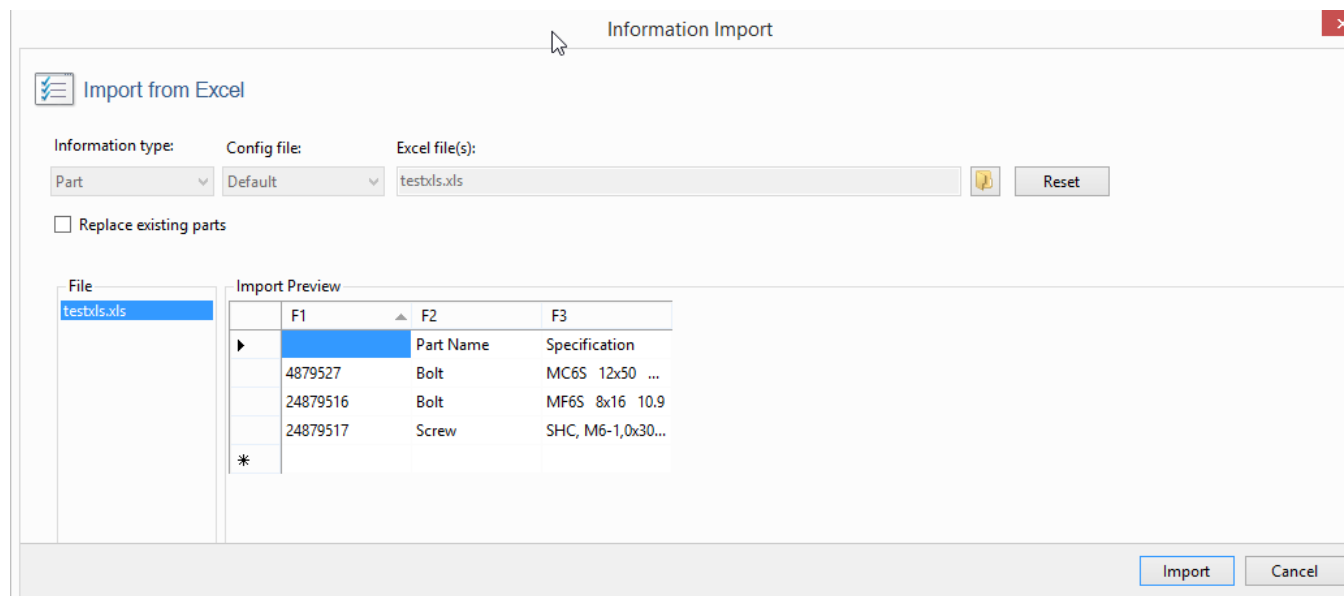


Part storage – Import parts...

Right click anywhere in the part storage and choose "Import parts...".

Import format:

- Excel 97-2003 (*.xls)
- Default columns defined by config file



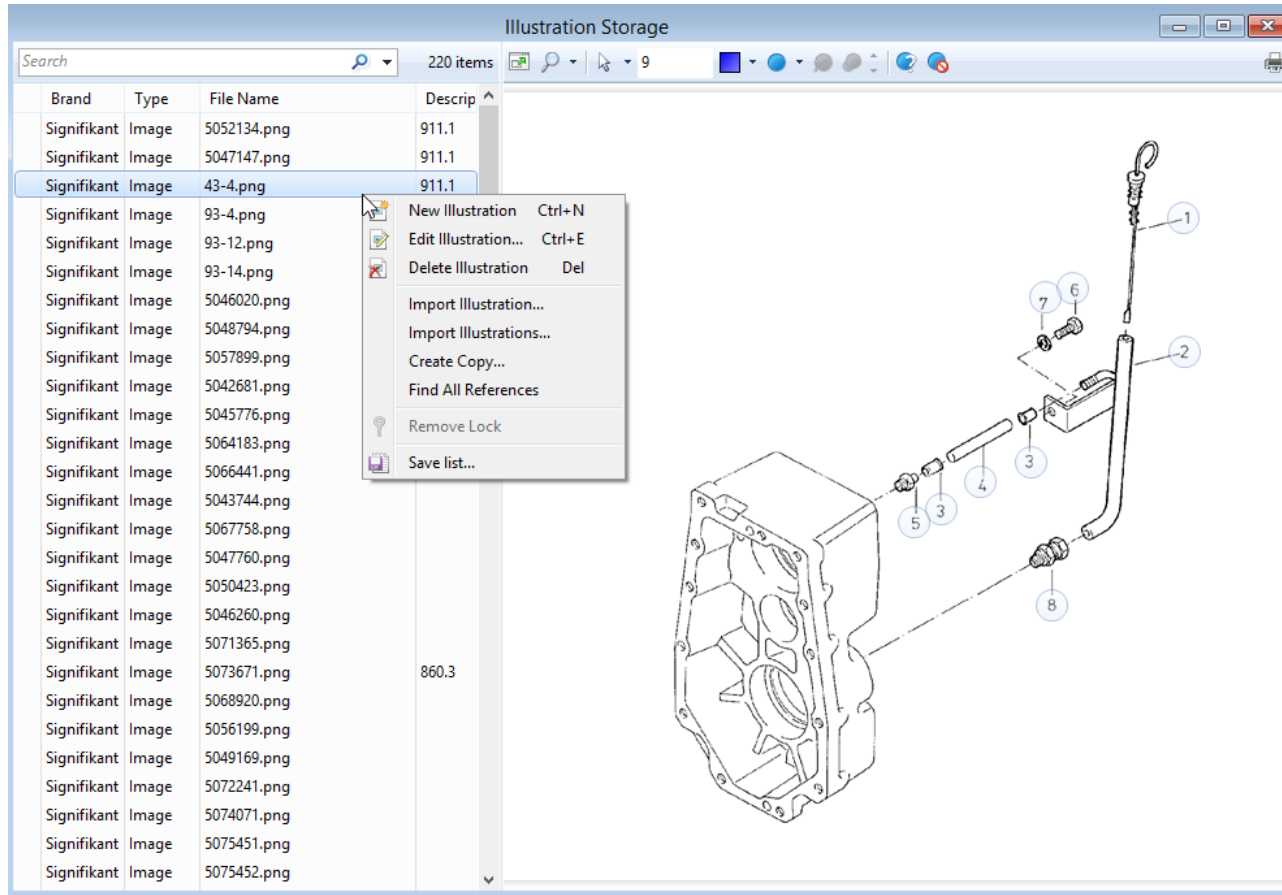
You can import from CSV, databases etc. by first exporting to xls



SIGNIFIKANT MANAGER

Illustration storage

Signifikant Manager – Illustration storage



Basic

- New Illustration...
- Edit Illustration...
- Delete Illustration
- Create Copy...
- Search

Advanced

- Hotspots
- Import Illustration...
- Import Illustrations...
- Find All References

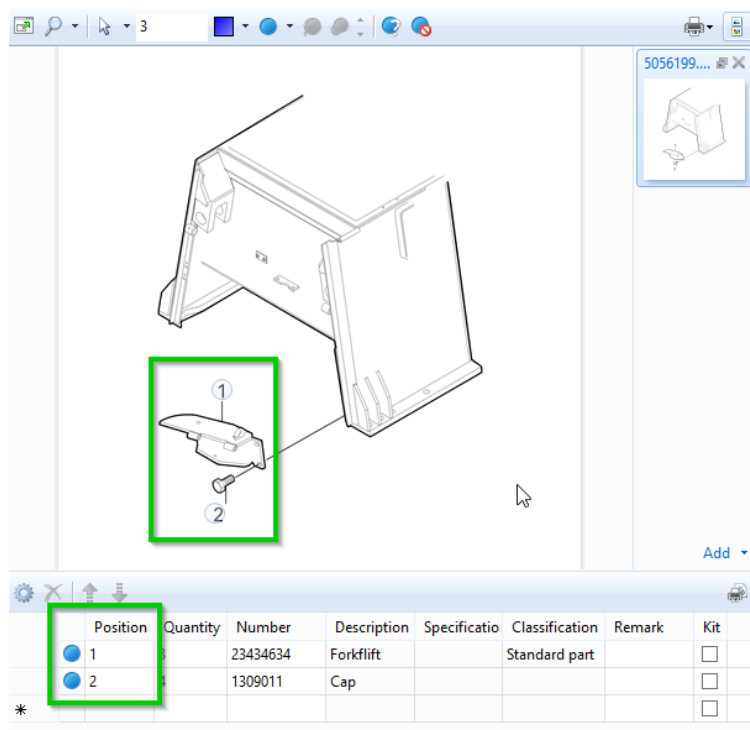
Export

- Save list...
- Print



Illustration storage – Hotspots

- Hotspots are linked to illustrations and saved in the Illustration Storage.
- Hotspots are activated when the illustration is included in a Part Assembly
- The link is made by the column "Position" in the part row.

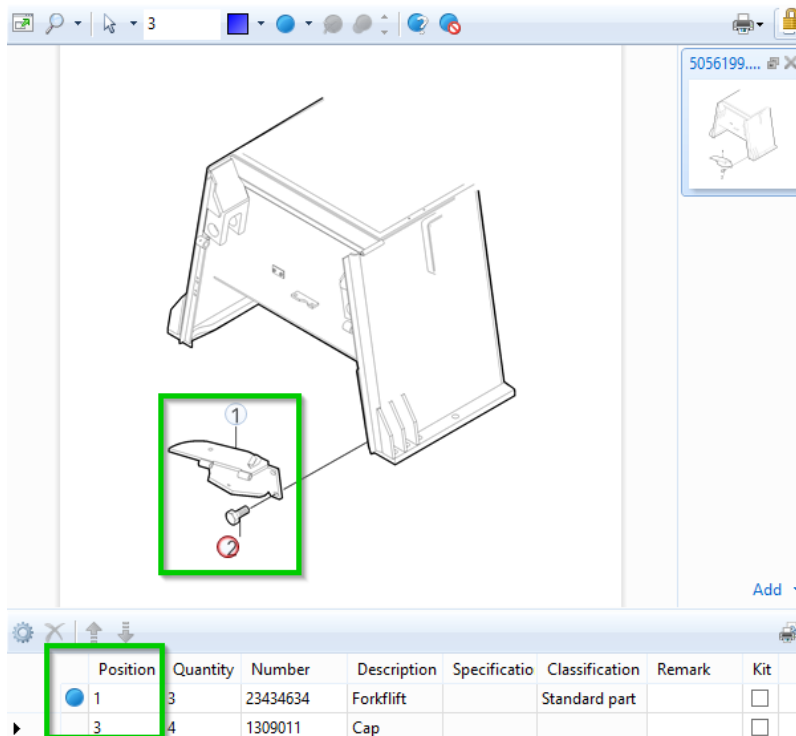


The **blue dots** in front of the part rows indicate that the part row is linked to a Hotspot.



Illustration storage – Hotspots

- Hotspots are linked to illustrations and saved in the Illustration Storage.
- Hotspot are activated when the illustration is included in a Part Module.
- The link is made by the column "Position" in the part row.



A **red border** around the Hotspot indicates that the Hotspot is not linked to a part row.



Illustration storage – Add Hotspots

- You can add Hotspots in the Illustration Storage, in the Part Module and during Import of an illustration.

1. Choose a color for the Hotspot
2. Choose a shape for the Hotspot
3. Choose the "Add Hotspot" action
4. Click in the middle of the hot spot

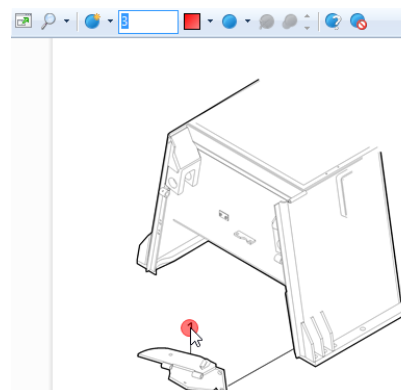
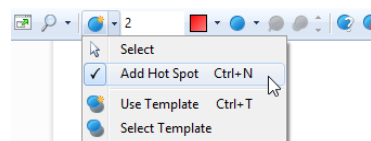
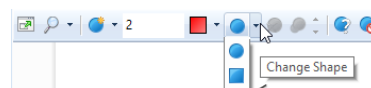
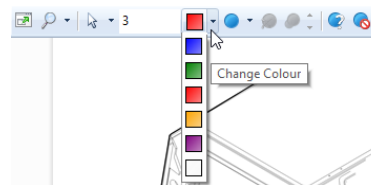
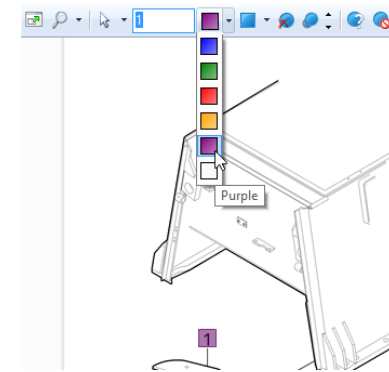
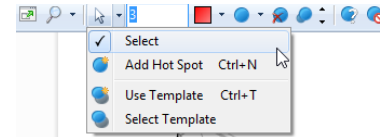




Illustration storage – Edit Hotspots

1. Choose the "Select" action
2. Click on the Hotspot you want to edit
3. Change the color, shape and size of the hotspot



When the "Select" action is chosen, you can also Delete and Identify Hotspots. Identification is a way to ensure that the numbers shown on the illustration match with the position IDs.



Illustration storage – Multiple Hotspots

You can create multiple similar Hotspots by using a template

1. Choose the "Select Template" action
2. Click on the Hotspot you want to use as a template
3. Choose the "Use Template" action
4. Click where ever you want to add Hotspots

The Hotspots will have the same colour, shape and size.



Illustration storage – Import illustration..

SIGNIFIKANT

With this function you can import an illustration, add hotspots and link it to an imported part module. You link part rows to hotspots and add more part rows manually.

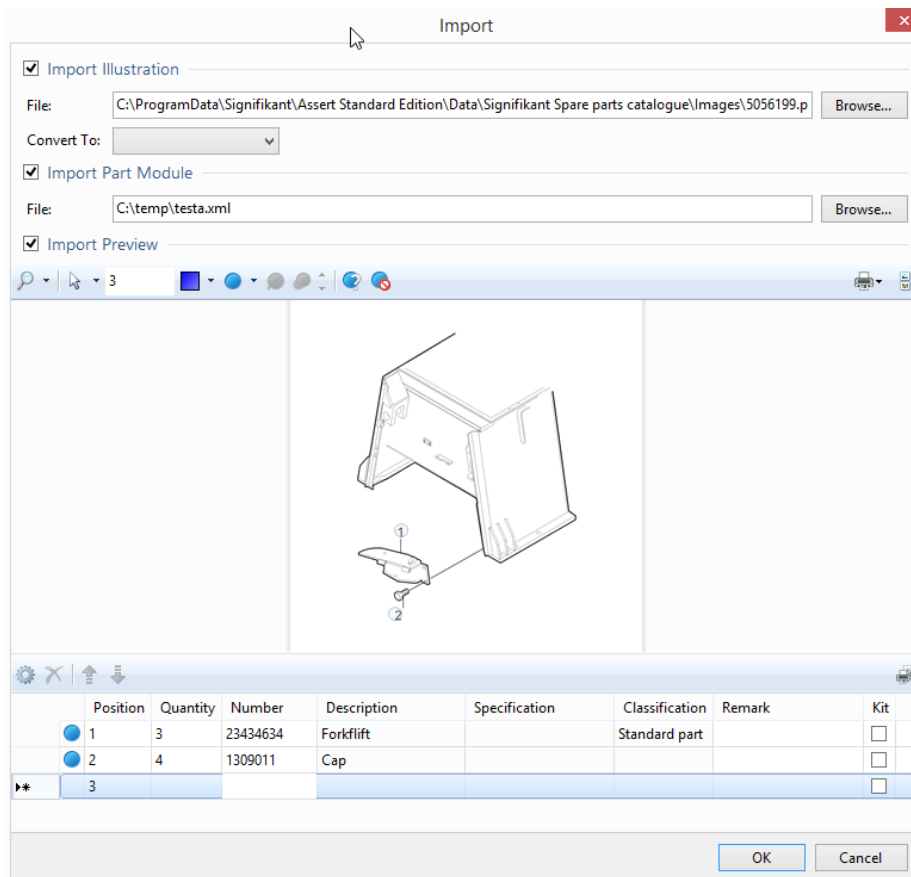


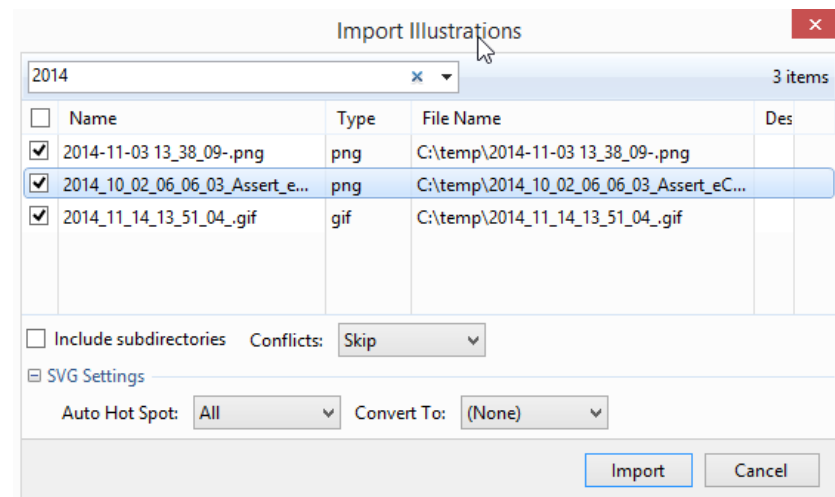


Illustration storage – Import illustrations...

With this function you can import a batch of illustrations. Illustrations can be placed in one directory and its subdirectories. You can configure the batch import as follows:

- Subdirectories: Include or exclude
- Handle conflicts: Not Allowed, Skip, Replace, Create New
- Auto Hotspot (.svg): None, All or New
- Convert to (.svg): Png, Jpeg, Tiff, Bmp

	A	B	C
1	Part Number	Part Name	Specification
2	24879516	Bolt	MF6S 8x16 10.9
3	24879517	Screw	SHC, M6-1,0x30, B 12.9
4	4879527	Bolt	MC6S 12x50 12.9 OBH





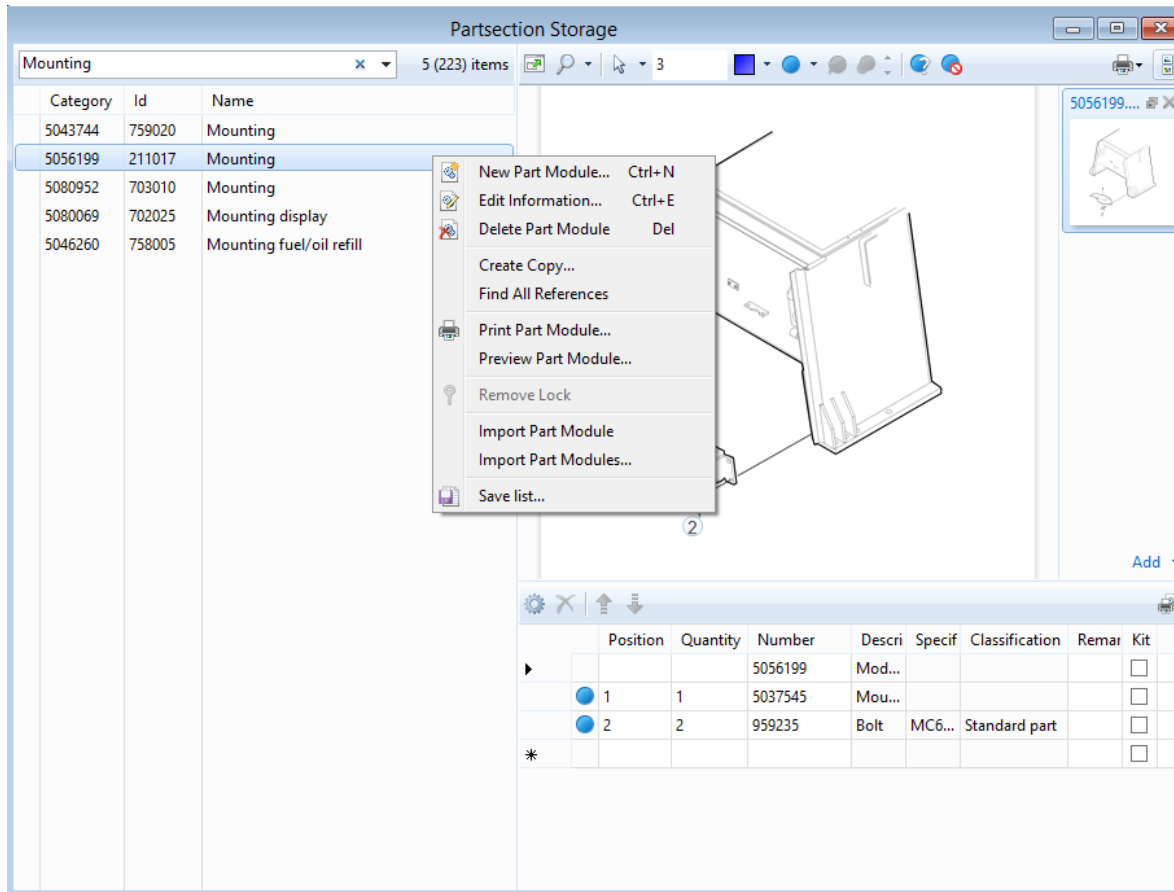
SIGNIFIKANT



SIGNIFIKANT MANAGER

Part assembly storage

Signifikant Manager – Part assembly storage



Basic

- New Part Module...
- Edit Information...
- Delete Part Module
- Create Copy...
- Search

Advanced

- Hotspots
- Add Illustration...
- Import Part Module...
- Import Part Modules...

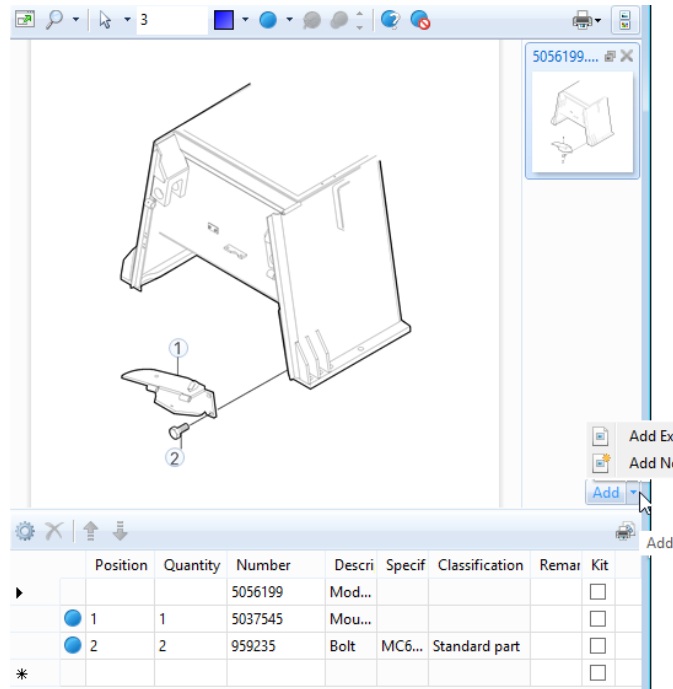
Export

- Preview Part Module...
- Print Part Module...
- Save list...

Part assembly storage – Add Illustration



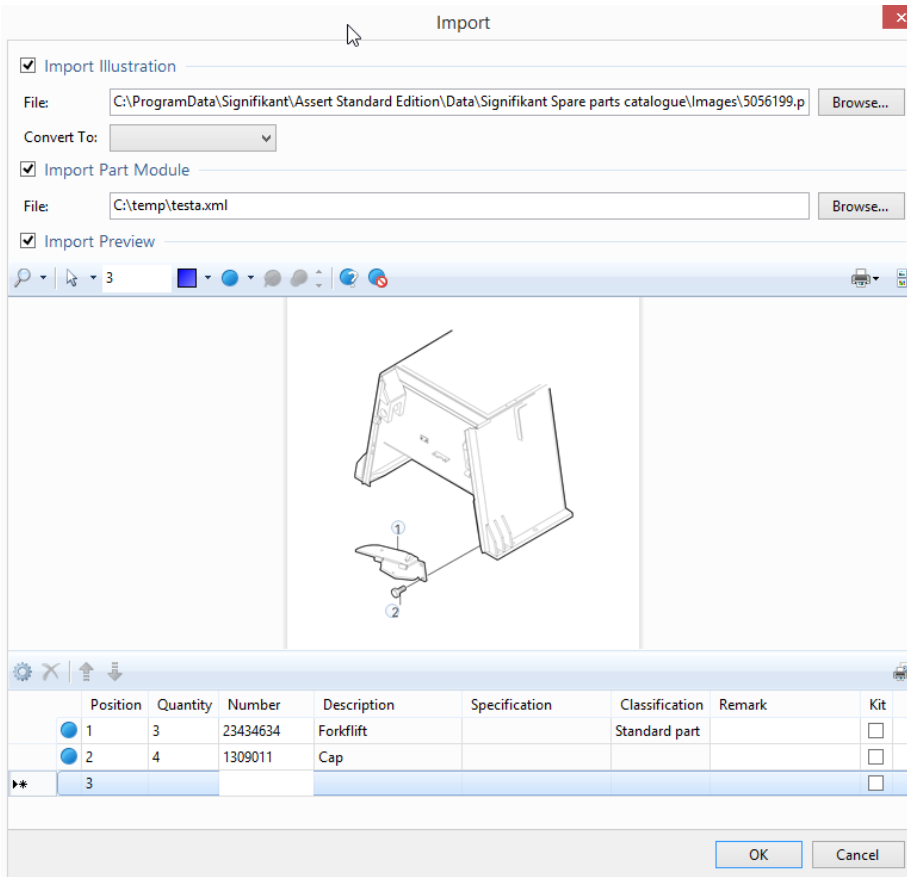
SIGNIFIKANT



You can add multiple illustrations to a single part assembly.

With the "Add" function you can add an existing image from the Illustration Storage, or upload a new image to the Illustration Storage.

Part assembly storage – Import Part Module...



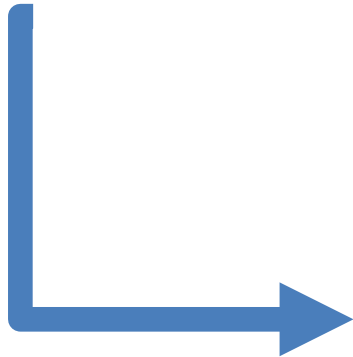
Please note that this is exact the same dialog as for importing illustrations. You can select to import an illustration or a part module, or both.



Part assembly storage – Import Part Modules...

	A	B	C	D	E
1	Id	134			
2	Name	Test Part Module			
3	Illustration	5052134.png			
4	PartID	Partname	Position	Quantity	Specific
5	759020	Mounting		5043744	
6	211017	Mounting		5056199	
7	703010	Mounting		5080952	
8	702025	Mounting di:			
9	758005	Mounting fu			

Please note that this is exact the same dialog as for importing illustrations. You can select to import an illustration or a part module, or both. Excel format is defined by config file.



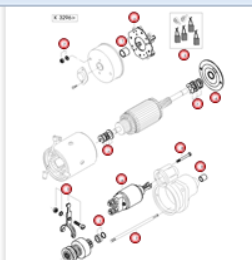
Import from Excel

Information type: Config file: Excel file(s):

Replace existing part modules

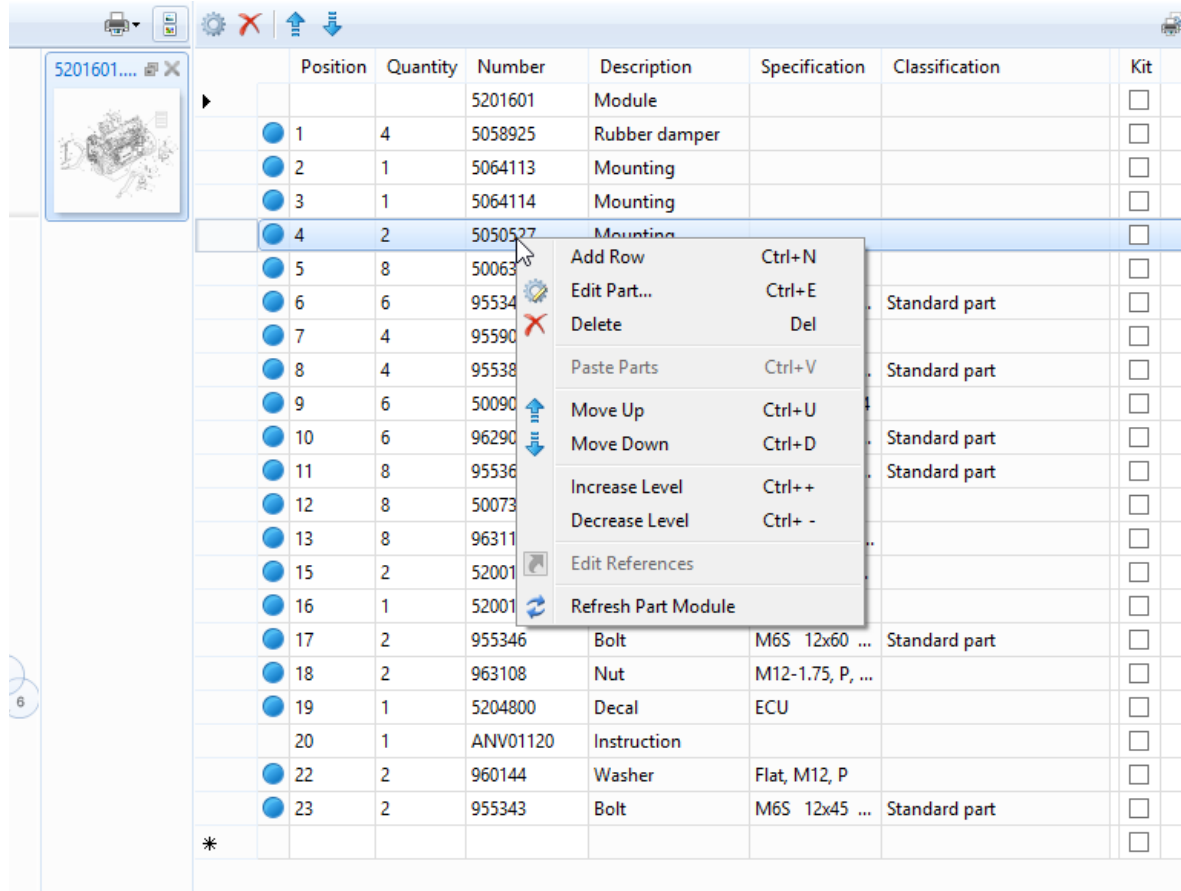
File:

Import Preview



Position	Quantity	Number	Description	Specification	Classification	Remark	Kit
	5043744	759020	Mounting				<input type="checkbox"/>
	5056199	211017	Mounting				<input type="checkbox"/>
	5080952	703010	Mounting				<input type="checkbox"/>
	5080069	702025	Mounting display				<input type="checkbox"/>
	5046260	758005	Mounting fuel/oil refill				<input type="checkbox"/>

Part assembly storage – Edit Part List



The screenshot shows a software window titled '5201601...' with a toolbar at the top. Below the toolbar is a table with columns: Position, Quantity, Number, Description, Specification, Classification, and Kit. Row 4 is selected, and a context menu is open over it. The menu items are: Add Row (Ctrl+N), Edit Part... (Ctrl+E), Delete (Del), Paste Parts (Ctrl+V), Move Up (Ctrl+U), Move Down (Ctrl+D), Increase Level (Ctrl++), Decrease Level (Ctrl+-), Edit References, and Refresh Part Module. The table contains 23 rows of data, with some rows marked as 'Standard part' in the Classification column.

Position	Quantity	Number	Description	Specification	Classification	Kit
		5201601	Module			<input type="checkbox"/>
1	4	5058925	Rubber damper			<input type="checkbox"/>
2	1	5064113	Mounting			<input type="checkbox"/>
3	1	5064114	Mounting			<input type="checkbox"/>
4	2	5050527	Mounting			<input type="checkbox"/>
5	8	50063				<input type="checkbox"/>
6	6	95534			Standard part	<input type="checkbox"/>
7	4	95590				<input type="checkbox"/>
8	4	95538			Standard part	<input type="checkbox"/>
9	6	50090				<input type="checkbox"/>
10	6	96290			Standard part	<input type="checkbox"/>
11	8	95536			Standard part	<input type="checkbox"/>
12	8	50073				<input type="checkbox"/>
13	8	96311				<input type="checkbox"/>
15	2	52001				<input type="checkbox"/>
16	1	52001				<input type="checkbox"/>
17	2	955346	Bolt	M6S 12x60 ...	Standard part	<input type="checkbox"/>
18	2	963108	Nut	M12-1.75, P, ...		<input type="checkbox"/>
19	1	5204800	Decal	ECU		<input type="checkbox"/>
20	1	ANV01120	Instruction			<input type="checkbox"/>
22	2	960144	Washer	Flat, M12, P		<input type="checkbox"/>
23	2	955343	Bolt	M6S 12x45 ...	Standard part	<input type="checkbox"/>
*						<input type="checkbox"/>

Basic

- Add Row...
- Edit Part...
- Delete
- Refresh

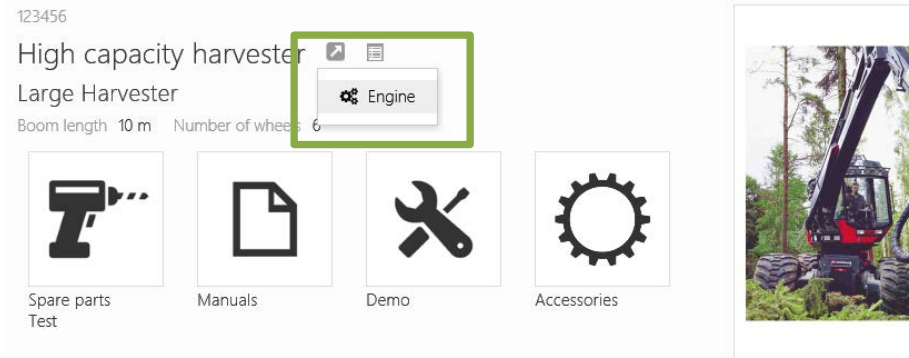
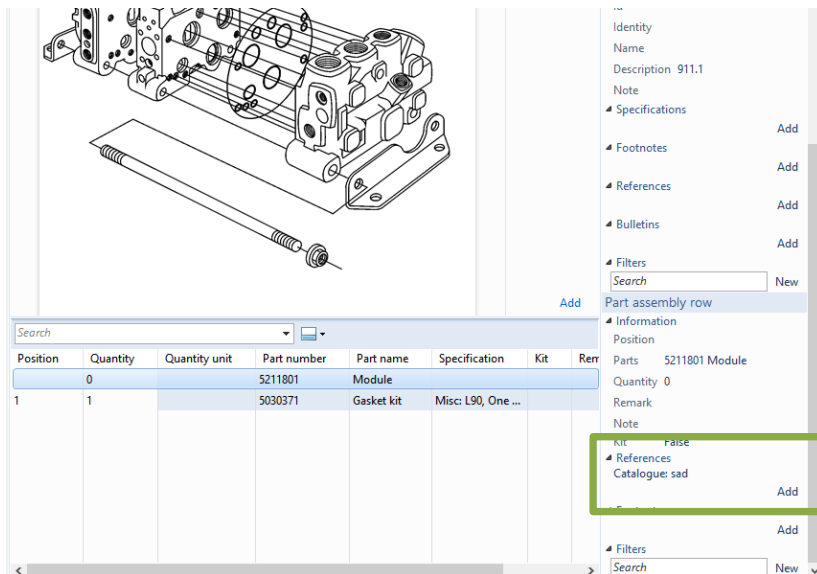
Advanced

- Paste Parts
- Move Up/Down
- In/Decrease Level
- Edit References



Part assembly storage – References

References can be created on part assemblies and part rows (and on other information as well).



References will show as a link on the information in the web viewer.
References can also be created using drag and drop.



SIGNIFIKANT MANAGER

Document storage

Signifikant Manager – Document storage



SIGNIFIKANT

In the document storage you can store complete documents in multiple languages. These documents can then be included in the Catalogues. They will be shown in the language that the user chooses in the settings. If the document does not exist in that language, it will be shown in the invariant language.

Document Storage				
Search				
Name	Category	Brand	Id	Description
User Guide Model X44	Guides	Signifikant	101	User Guide for Mo...

Code	Language	File
	Basic Language	ACC_0000311_99.pdf
ENG	English	ACC_0000311_99.pdf
SWE	Svenska	ACC_0000311_99.pdf

When adding a new document, you first give it a new, id and attribute values. Thereafter you will upload the document in the various languages in the right column of the screen.

Document storage – Importing documents

With this function you can import a batch of documents. Documents can be placed in one directory and its subdirectories. You can configure the batch import as follows:

- Subdirectories: Include or exclude
- Handle conflicts: Not Allowed, Skip, Replace, Create New
- Language: Use folder or file name to decide language
- Metadata: Use file name to decide name, id and description

Document import is configured by a config file.



SIGNIFIKANT



SIGNIFIKANT MANAGER

Catalogues



Signifikant Manager – Catalogues

Catalogues allow you to put the part assemblies in a logical structure, for instance by subsystem (engine, chassis, transmission, brakes, etc.). A catalogue is always the top node. Underneath it, you can create a structure of nodes that include part assemblies and/or documents.

Position	Quantity	Number	Descriptor	Specificatic	Classification	Remark	Kit
		5198383	Module				<input type="checkbox"/>
1	1	5204039	Tank cap				<input type="checkbox"/>
3	2	5053551	Plug	Inc. seal			<input type="checkbox"/>
5	1	5065421	Plug				<input type="checkbox"/>
6	1	5196707	Coupling	WOG 1312			<input type="checkbox"/>
7	1	5193975	Hydrauli...	2 1/2 900...			<input type="checkbox"/>
8	1	5074166	Coupling	SOG 1312			<input type="checkbox"/>
9	2	5065422	Plug	Seal incl...			<input type="checkbox"/>
11	2	58130509	Bolt	MC6S 1...	Standard part		<input type="checkbox"/>
13	2	947083	Flat gasket				<input type="checkbox"/>
15	1	5078187	Protection				<input type="checkbox"/>
16	1	5080803	Cap				<input type="checkbox"/>

Example of a spare part catalogue with a complex structure



Signifikant Manager – Catalogues

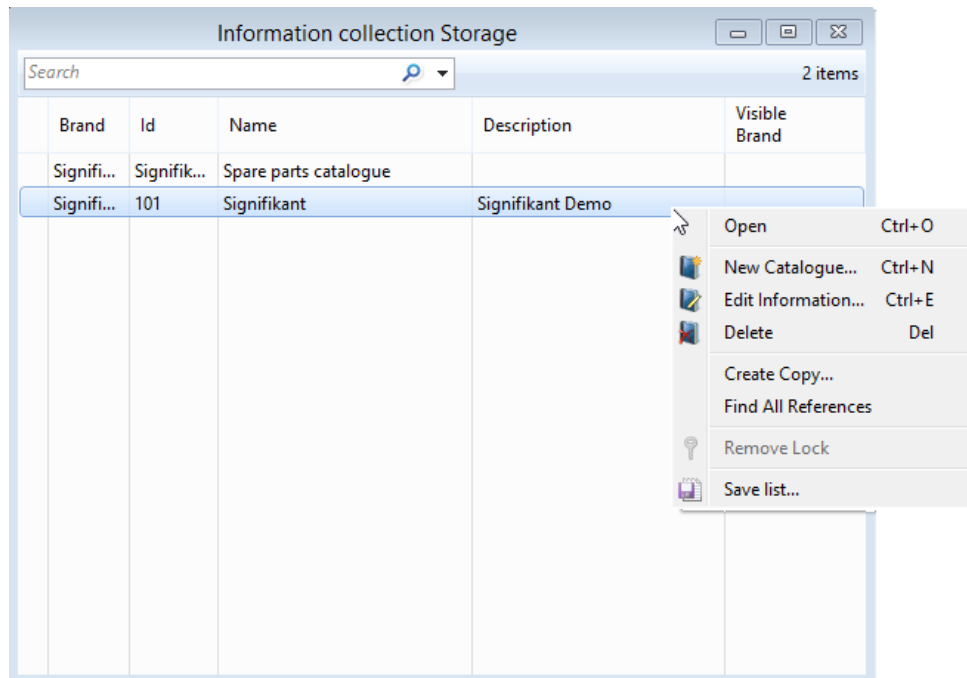
Catalogues allow you to put the part assemblies in a logical structure, for instance by subsystem (engine, chassis, transmission, brakes, etc.). A catalogue is always the top node. Underneath it, you can create a structure of nodes that include part assemblies and/or documents.

Position	Quantity	Number	Description	Specification	Classification	Remark	Kit
01	2	05160401	Washer/W...		Standard part		<input type="checkbox"/>
02	2	06070011	Axle comp...		Standard part		<input type="checkbox"/>
03	2	06090001	See next		Standard part		<input type="checkbox"/>
03	2	06090005	Rear roller ...		Standard part	U.K. applic...	<input type="checkbox"/>
04	4	06130201	Bearing bu...		Standard part		<input type="checkbox"/>
05	2	06130401	Lubricatin...		Standard part		<input type="checkbox"/>
06	1	H0000186	Locking pl...		Standard part		<input type="checkbox"/>
07	2	37200012	Lubricatin...		Standard part		<input type="checkbox"/>
09	2	45011638	Fastening ...		Standard part		<input type="checkbox"/>
10	2	45081615	Self lockin...		Standard part		<input type="checkbox"/>
11	2	37200002	Lubricatin...		Standard part		<input type="checkbox"/>
12	4	59500180	Grease nip...		Standard part		<input type="checkbox"/>

Example of a spare part catalogue with a flat structure

Signifikant Manager – Catalogue storage

Create new catalogues in the Catalogue storage.



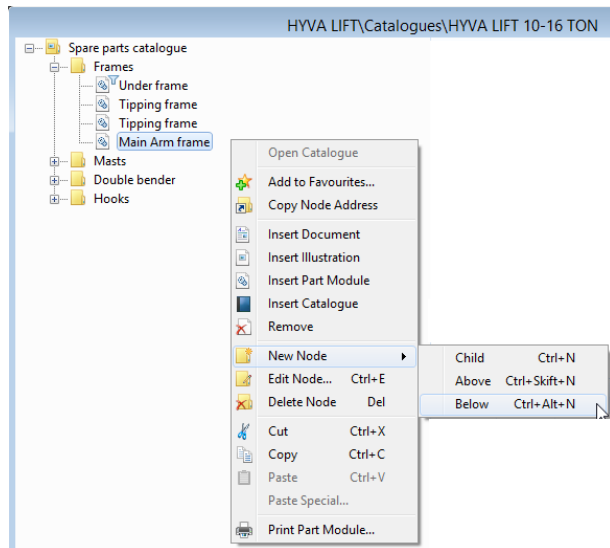
A catalogue is represented by some metadata (modified by choosing Edit Information...) and a structure of elements from the storages.

Choose Open to view and edit the structure of the catalogue.



Catalogues – Edit catalogue structure

You can add elements from the storages by using the right-click menu.



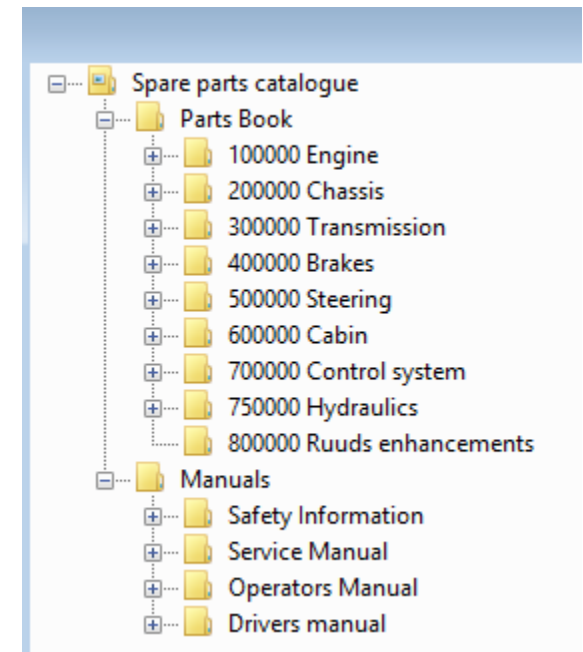
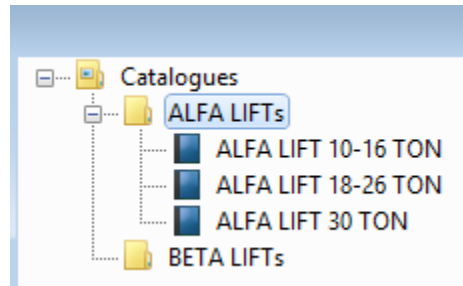
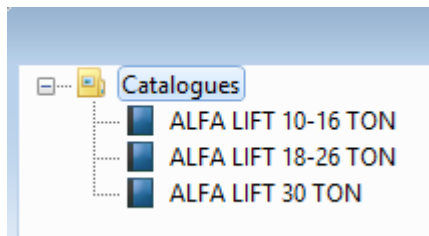
You can add and remove nodes, part assemblies, catalogues and illustrations.

Please note that illustrations are not added as children of a node. They are added to the note and are shown in the right pane when you click on the node.



Catalogues – Start Catalogue

Your catalogues are now only available from the Catalogue Storage. To make them available in the navigator, the catalogues need to be inserted in the structure of the Start Catalogue. The Start Catalogue is a built-in catalogue that is opened by clicking on the Home icon. 🏠



You can put all your catalogues in the Start Catalogue.
Or you can use nodes to build a structure of catalogues.

Please note that you can not mix catalogues with other elements within one node.



Catalogues – Drag and drop

You can add elements from the storages by using drag and drop.

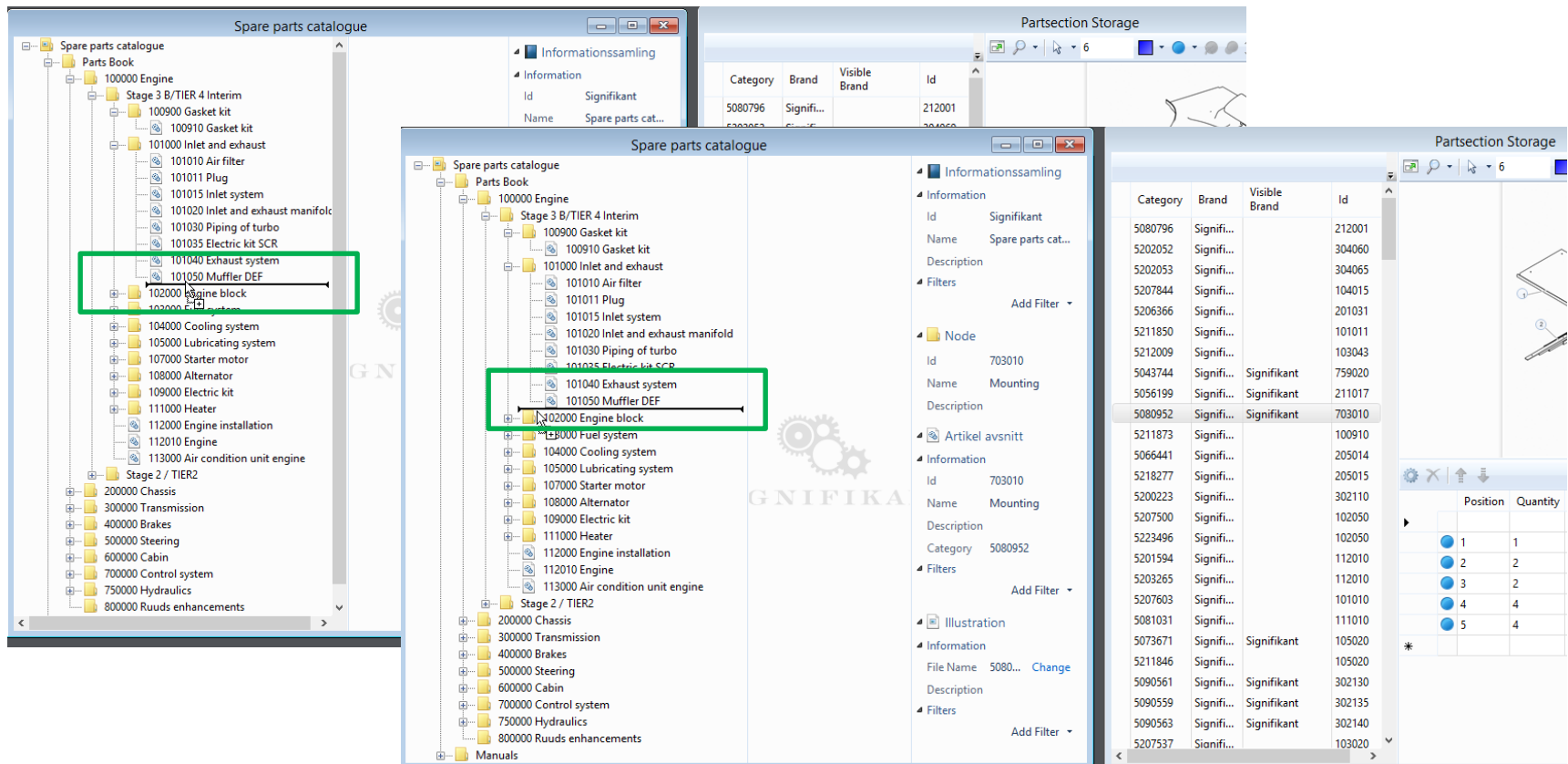
The screenshot displays two windows from a software application. The left window, titled 'Spare parts catalogue', shows a hierarchical tree structure of parts. The right window, titled 'Partsection Storage', shows a table of parts with columns for Category, Brand, Visible Brand, and Id. Below the table is a diagram of a mechanical assembly with numbered callouts (1-5) corresponding to the table rows. At the bottom of the right window is a table with columns for Position, Quantity, Number, and Description.

Category	Brand	Visible Brand	Id
5080796	Signifi...		212001
5202052	Signifi...		304060
5202053	Signifi...		304065
5207844	Signifi...		104015
5206366	Signifi...		201031
5211850	Signifi...		101011
5212009	Signifi...		103043
5043744	Signifi...	Signifikant	759020
5056199	Signifi...	Signifikant	211017
5080952	Signifi...	Signifikant	703010
5211873	Signifi...		100910
5066441	Signifi...		205014
5218277	Signifi...		205015
5200223	Signifi...		302110
5207500	Signifi...		102050
5223496	Signifi...		102050
5201594	Signifi...		112010
5203265	Signifi...		112010
5207603	Signifi...		101010
5081031	Signifi...		111010
5073671	Signifi...	Signifikant	105020
5211846	Signifi...		105020
5090561	Signifi...	Signifikant	302130
5090559	Signifi...	Signifikant	302135
5090563	Signifi...	Signifikant	302140
5207537	Signifi...		103020

Position	Quantity	Number	Description
		5080952	Mod
1	1	5083309	Plate
2	2	5090167	Rail
3	2	5083305	Plate
4	4	5075782	Scre
5	4	956208	Bolt

Catalogues – Drag and drop

You can add elements from the storages by using drag and drop.



The screenshot displays the 'Spare parts catalogue' interface. The left pane shows a hierarchical tree structure. The right pane shows a 'Partsection Storage' table with columns for Category, Brand, Visible Brand, and Id. A green box highlights the '102000 Engine block' in the tree, and another green box highlights the '102000 Engine block' in the storage table. Arrows indicate the drag-and-drop action.

Category	Brand	Visible Brand	Id
5080796	Signifi...		212001
5202052	Signifi...		304060
5202053	Signifi...		304065
5207844	Signifi...		104015
5206366	Signifi...		201031
5211850	Signifi...		101011
5212009	Signifi...		103043
5043744	Signifi...	Signifikant	759020
5056199	Signifi...	Signifikant	211017
5080952	Signifi...	Signifikant	703010
5211873	Signifi...		100910
5066441	Signifi...		205014
5218277	Signifi...		205015
5200223	Signifi...		302110
5207500	Signifi...		102050
5223496	Signifi...		102050
5201594	Signifi...		112010
5203265	Signifi...		112010
5207603	Signifi...		101010
5081031	Signifi...		111010
5073671	Signifi...	Signifikant	105020
5211846	Signifi...		105020
5090561	Signifi...	Signifikant	302130
5090559	Signifi...	Signifikant	302135
5090563	Signifi...	Signifikant	302140
5207537	Signifi...		103020

Watch how the editor will show you where the element will be inserted in the hierarchy. Move your mouse slightly up and down to switch from inserting below to insert as child.



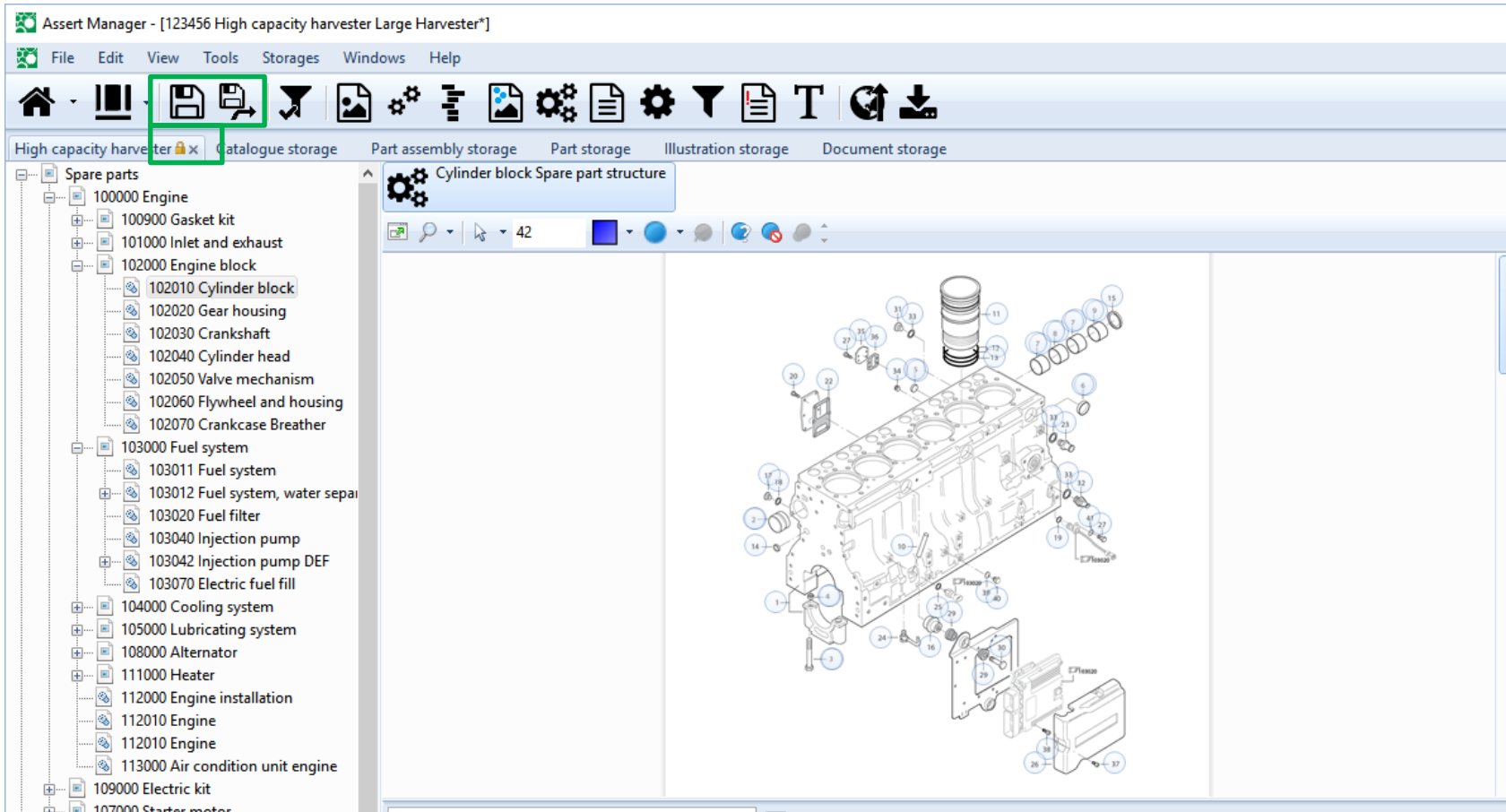
SIGNIFIKANT MANAGER

Change control



Catalogues – Change control

As soon as you make a change somewhere in the hierarchy, Signifikant will show change markers on the item you changes, on the node in the hierarchy and in the





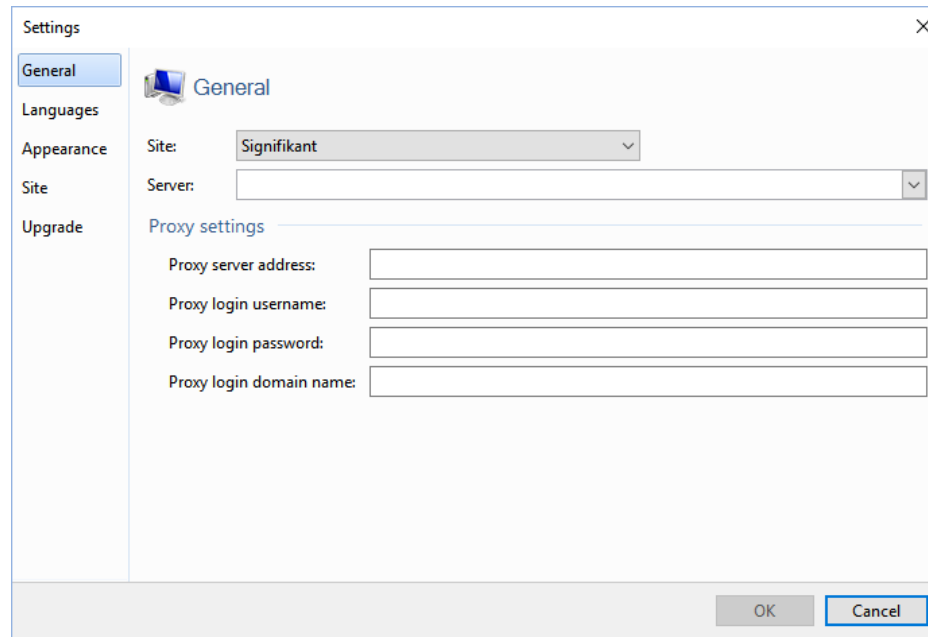
SIGNIFIKANT



SIGNIFIKANT MANAGER

Settings

Signifikant Manager – General Settings



Choose Tools | Options from the menu to edit Signifikant Manager Settings. In the General settings you can choose which Site you want to connect to. A Site is a repository that has a unique Start page and can contain one or many catalogues.

Sites are managed in the Signifikant Administrator and define the connection to a database server, database etc. Signifikant Administrator is outside the scope of this course.



SIGNIFIKANT

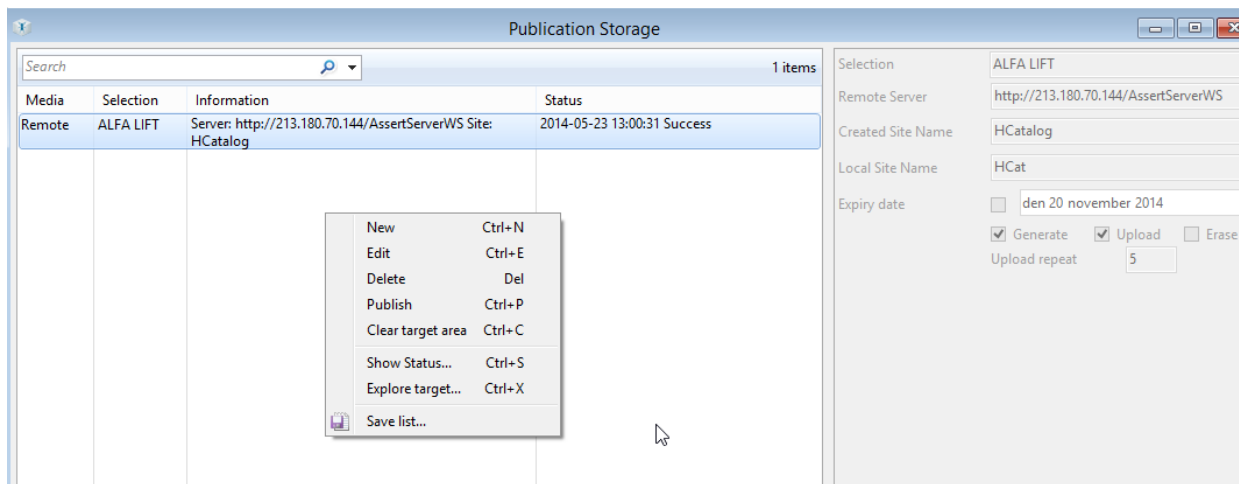


SIGNIFIKANT

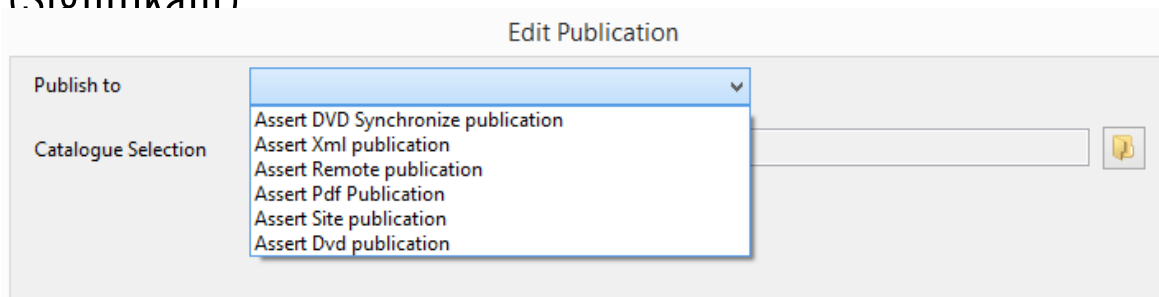
MANAGER

Publications

Signifikant Manager – Publication storage



In the Publication storage you can define one or multiple publications from your Signifikant Database to various targets: DVD (Off line), XML, PDF, Remote (web), Site (Signifikant)



Signifikant Manager – Publication Storage



Edit Publication

Publish to: Assert Pdf Publication

Catalogue Selection: ALFA LIFT 18-26 TON

Output File Name: Catalogue for ALFA LIFT 18-26 Ton

Report Template: Assert Catalog publication

Language: Basic Language, German, English, French, Dutch

Paper size: A4

Brand logotype: Signifikant

Version: 1.2

Model: 18-26 Ton

Include subordered catalogues

Quality: 100 % DPI: 150

DVD publication

Edit Publication

Publish to: Assert Remote publication

Catalogue Selection: Index ALFA LIFT Index

Remote Server: http://ourserver/AssertWeb

Created Site Name: Catalogue

Local Site Name: HCat

Expiry date: den 20 november 2014

Generate Upload Erase after Use softlinks

Upload repeat: 5

Remote Web publication

You can choose to include all catalogues, sub catalogues and languages in the publication, or to e.g. limit the publication to one catalogue and one limit.

You can set an expiry date on the web publication, after which the publication can not be used anymore.



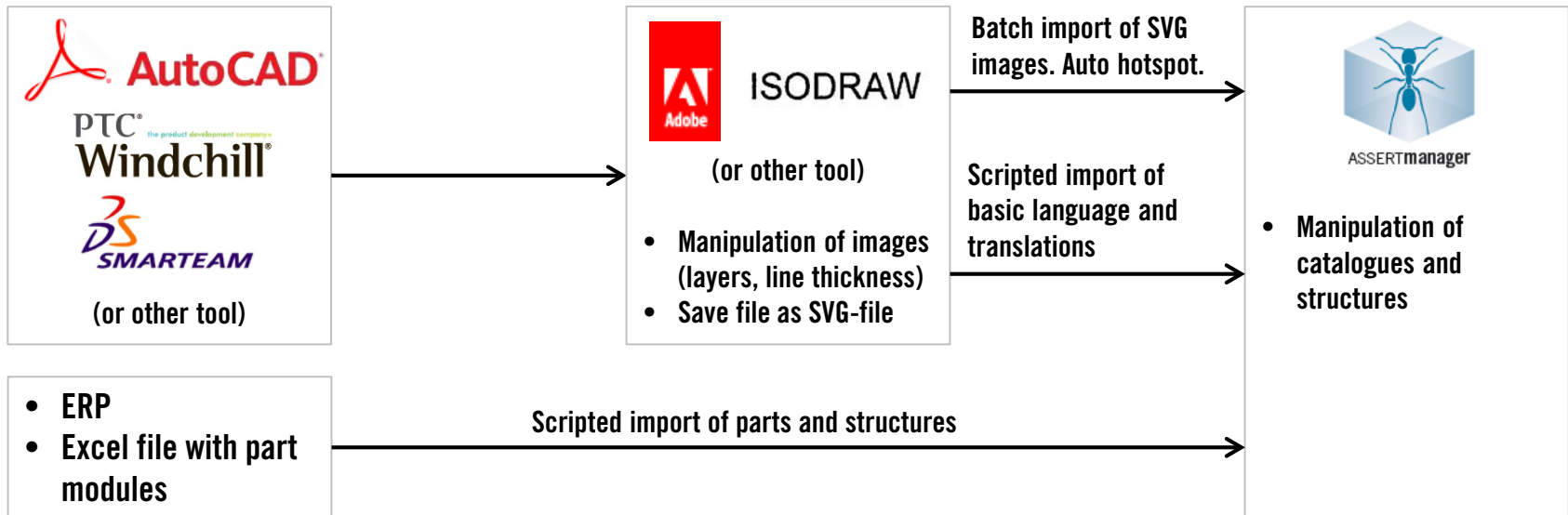
SIGNIFIKANT MANAGER

Import functionality

Signifikant Import Module



SIGNIFIKANT



- Standard import components allow for xml and Excel import and major image formats.
- Import process may be highly customized to support various processes and strategies.
- Multiple processes may be supported at the same time.

The key is to create a smooth high quality process workflow.